



ETA-Danmark A/S
Göteborg Plads 1
DK-2150 Nordhavn
Tel. +45 72 24 59 00
Internet www.etadanmark.dk

Authorised and notified
according to Article 29 of the
Regulation (EU)
No 305/2011 of the European
Parliament and of the Council
of 9 March 2011

MEMBER OF EOTA



European Technical Assessment ETA-21/0340 of 2021/04/09

I General Part

Technical Assessment Body issuing the ETA and designated according to Article 29 of the Regulation (EU) No 305/2011: ETA-Danmark A/S

Trade name of the construction product:

Graft FR Foam

Product family to which the above construction product belongs:

Fire Stopping and Sealing Product:

- Linear Joint and Gap Seals

Manufacturer:

Polyseam Ltd
15. St. Andrews Road
Huddersfield,
West Yorkshire
HD1 6SB,
UK

Manufacturing plant:

G/001

This European Technical Assessment contains:

10 pages including 1 annex which form an integral part of the document

This European Technical Assessment is issued in accordance with Regulation (EU) No 305/2011, on the basis

EAD 350141-00-1106, September 2017.

This version replaces:

-

Translations of this European Technical Assessment in other languages shall fully correspond to the original issued document and should be identified as such.

Communication of this European Technical Assessment, including transmission by electronic means, shall be in full. However, partial reproduction may be made, with the written consent of the issuing Technical Assessment Body. Any partial reproduction has to be identified as such.

Table of Contents

I.	SPECIFIC PARTS OF THE EUROPEAN TECHNICAL ASSESSMENT	4
1	Technical description of the product	4
2	Specification of the intended uses of the product in accordance with the applicable European Assessment Document (Hereinafter EAD): EAD 350141-00-1106, September 2017	5
3	Performance of the product and references to the methods used for its assessment	6
4	ASSESSMENT AND VERIFICATION OF CONSTANCY OF PERFORMANCE (HEREINAFTER AVCP) SYSTEM APPLIED, WITH REFERENCE TO ITS LEGAL BASE	7
5	Technical details necessary for the implementation of the AVCP system, as provided for in the applicable EAD	7
	ANNEX A – Resistance to Fire Classification – Graft FR Foam	8
A.1	Flexible and rigid wall construction with wall thickness of minimum 100 mm and timber substrates and architraves	8
A.1.1	Linear joint or gap seals, vertically or horizontally orientated without backing materials	8
A.2	Rigid wall constructions with wall thickness of minimum 150 mm	9
A.2.1	Linear joint or gap seal, horizontally oriented	9
A.2.2	Linear joint or gap seal, vertically oriented	10

I. SPECIFIC PARTS OF THE EUROPEAN TECHNICAL ASSESSMENT

1 Technical description of the product

- 1) Graft FR Foam is a fire resistant, expanding foam used to form a seal to reinstate the fire resistance performance of wall constructions, where they have been provided with linear gaps and joints.
- 2) Graft FR Foam is supplied contained, premixed within steel canisters. The foam is sprayed into the aperture in or between the separating element/elements, to a specified depth and where required capped with a sealant.
- 3) Polyseam Ltd submitted a written declaration that Graft FR Foam does not contain substances which have to be classified as dangerous according to Directive 67/548/EEC and Regulation (EC) No 1272/2008 and listed in the "Indicative list on dangerous substances" of the EGDS - taking into account the installation conditions of the construction product and the release scenarios resulting from there.

In addition to the specific clauses relating to dangerous substances contained in this European Technical Assessment, there may be other requirements applicable to the products falling within its scope (e.g. transposed European legislation and national laws, regulations and administrative provisions). In order to meet the provisions of the Construction Products Regulation, these requirements need also to be complied with, when and where they apply.

- 4) The use category of Graft FR Foam in relation to BWR 3 (Hygiene, health and environment) is IA1

2 Specification of the intended uses of the product in accordance with the applicable European Assessment Document (Hereinafter EAD): EAD 350141-00-1106, September 2017

Detailed information and data is given in Annex A.

- 1) The intended use of Graft FR Foam is to reinstate the fire resistance performance of flexible wall and rigid wall constructions where there are linear joints and gaps.
- 2) The specific elements of construction that the system Graft FR Foam may be used to provide a penetration seal in, are as follows:
 - a. Flexible walls: The wall must have a minimum thickness of 100 mm and comprise steel studs or timber studs lined on both faces with minimum 2 layers of 12.5 mm thick boards. The wall is permitted with or without insulation.
 - b. Rigid walls: The wall must have a minimum thickness of 100 mm and comprise concrete, aerated concrete or masonry, with a minimum density of 650 kg/m³.

The supporting construction must be classified in accordance with EN 13501-2 for the required fire resistance period.

- 3) The System Graft FR Foam may be used to provide a linear joint seal with specific supporting constructions and substrates. (for details see Annex A).
- 4) The provisions made in this European Technical Assessment are based on an assumed working life of the Graft FR Foam of 10 years, provided that the conditions laid down in sections 4.2/5.1/5.2 for the packaging/transport/ storage/installation/use/repair are met. The indications given on the working life cannot be interpreted as a guarantee given by the producer or the Technical Assessment Body but are to be regarded only as a means for choosing the right products in relation to the expected economically reasonable working life of the works.
- 5) Type Y_{2 (-5/70)}: intended for use at temperatures below 0°C, but with no exposure to rain nor UV. Includes lower classes.

3 Performance of the product and references to the methods used for its assessment

Product-type: Foam		Intended use: Linear Joint & Gap Seal
	Essential characteristic	Product Performance
BWR 2 Safety in case of fire		
	Reaction to fire	No performance assessed
	Resistance to fire	Annex A
BWR 3 Hygiene, health and environment		
	Content, emission and/or release of dangerous substances	Use categories: IA1 Declaration of manufacturer
	Air permeability (material property)	No performance assessed
	Water permeability (material property)	No performance assessed
BWR 4 Safety in use		
	Mechanical resistance and stability	No performance assessed
	Resistance to impact/movement	No performance assessed
	Adhesion	No performance assessed
	Durability	$Y_{2(-5/70)}$
	Movement capacity	No performance assessed
	Cycling of perimeter seals for curtain walls	No performance assessed
	Compression set	No performance assessed
	Linear expansion on setting	No performance assessed
BWR 5 Protection against noise		
	Airborne sound insulation	$R_w (C;C_{tr})= 61 (-1;-4) \text{ dB}^*$
BWR 6 Energy economy and heat retention		
	Thermal properties	No performance assessed
	Water vapour permeability	No performance assessed

* At minimum 50 mm depth

4 ASSESSMENT AND VERIFICATION OF CONSTANCY OF PERFORMANCE (HEREINAFTER AVCP) SYSTEM APPLIED, WITH REFERENCE TO ITS LEGAL BASE

According to the decision 1999/454/EC – Commission Decision of date 22nd June 1999 on the procedure for attesting the conformity of construction products pursuant to Article 20(2) of Council Directive 89/106/EEC as regards fire stopping, fire sealing and fire protective products, published in the Official Journal of the European Union (OJEU) L178/52 of 14/07/1999, see <http://eur-lex.europa.eu/JOIndex.do> of the European Commission¹, as amended, the system(s) of assessment and verification of constancy of performance (see Annex V to Regulation (EU) No 305/2011) given in the following table(s) applies (apply).

Product(s)	Intended use(s)	Level(s) or class(es)	System(s)
Fire stopping and Fire Sealing Products	For fire compartmentation and/or fire protection or fire performance	Any	1

5 Technical details necessary for the implementation of the AVCP system, as provided for in the applicable EAD

Technical details necessary for the implementation of the AVCP system are laid down in the control plan deposited at ETA-Danmark A/S prior to CE marking

Issued in Copenhagen on 2021-04-09 by



Thomas Bruun

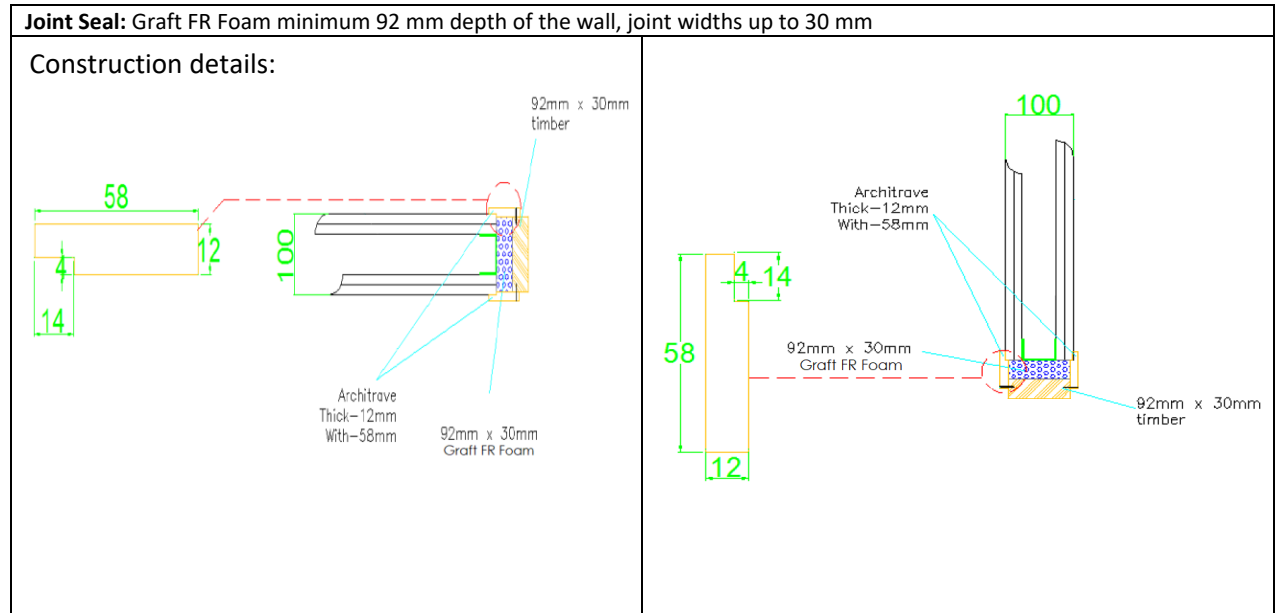
Managing Director, ETA-Danmark

¹ Official Journal of the European Communities L178/52 of 14/7/1999

ANNEX A – Resistance to Fire Classification – Graft FR Foam

A.1 Flexible and rigid wall construction with wall thickness of minimum 100 mm and timber substrates and architraves

A.1.1 Linear joint or gap seals, vertically or horizontally orientated without backing materials



A.1.1.1

Substrate	Depth (mm)	Facing	Classification
Flexible or rigid wall / Timber	Minimum 92 min.	Linear seals in flexible or rigid walls against wooden door frames covered with architraves on both sides*	E 60 – V – X – F – W 30
			EI 45 – V – X – F – W 30
			EI 60 – T – X – F – W 30

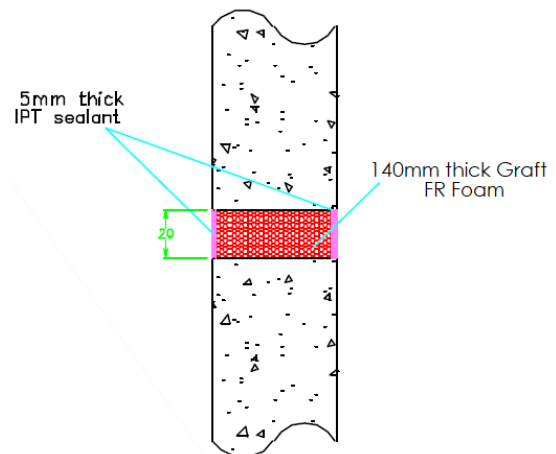
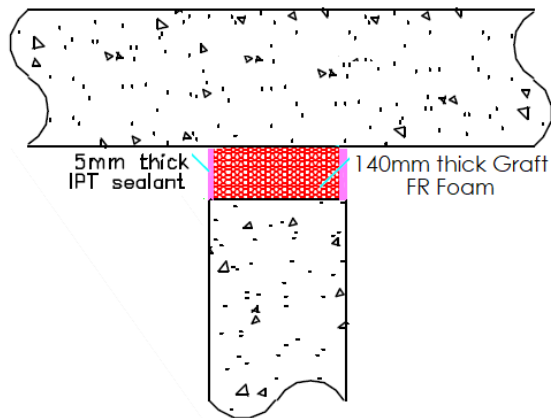
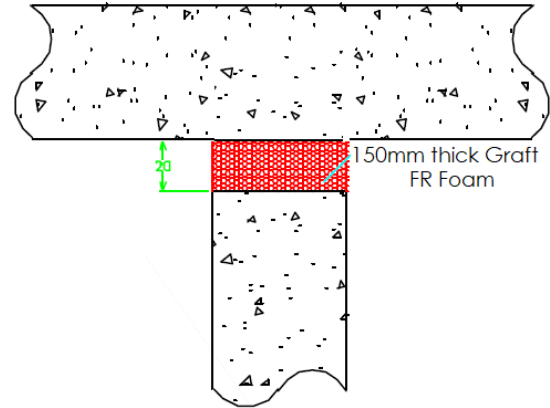
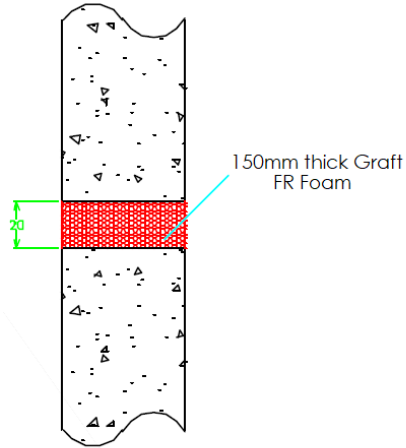
*This classification does not relate to fire resisting doorsets which must be classified separately

A.2 Rigid wall constructions with wall thickness of minimum 150 mm

A.2.1 Linear joint or gap seal, horizontally oriented

Joint Seal: Seal for horizontal gaps in walls and joint between head of wall and floor soffit. Wall sealed to full depth or minimum 150 mm if wall is of greater depth.

Construction details:



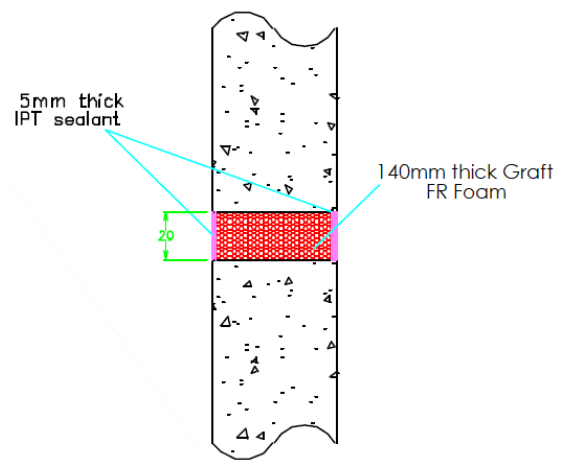
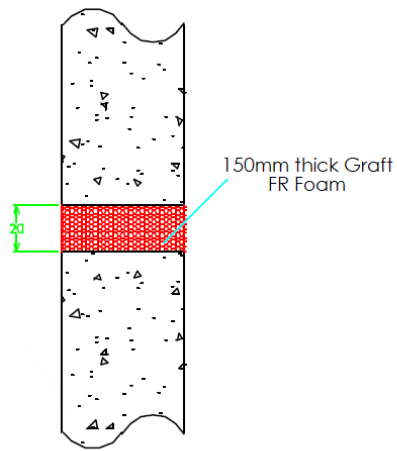
A.2.1.1

Substrate	Depth (mm)	Facing	Classification
Masonry/ concrete	140 min.	5 mm IPT Sealant to both faces	EI 240 – T – X – F – W 20
	150 min.	None	EI 180 – T – X – F – W 20

A.2.2 Linear joint or gap seal, vertically oriented

Joint Seal: Seal for vertical gaps in walls and joint between walls. Wall sealed to full depth or minimum 150 mm if wall is of greater depth.

Construction details:



A.2.2.1

Substrate	Depth (mm)	Facing	Classification
Masonry/ concrete	140 min.	5 mm IPT Sealant to both faces	EI 240 – V – X – F – W 20
	150 min.	None	EI 60 – V – X – F – W 20